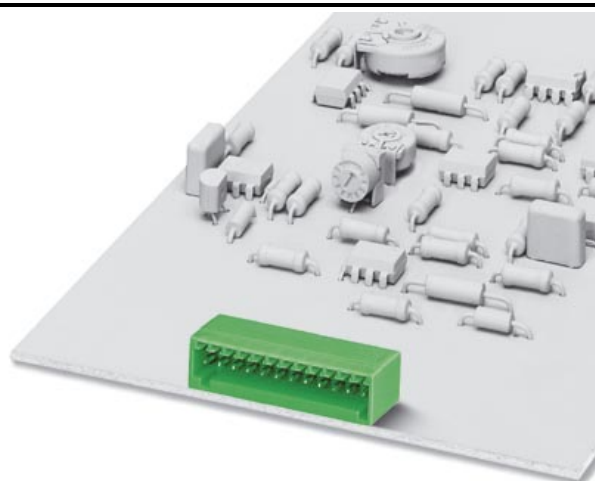


Please note that the data given here has been taken from the online catalog. For comprehensive information and data, please refer to the user documentation at <http://www.download.phoenixcontact.com>. The General Terms and Conditions of Use apply to Internet downloads.

► Extract from the online catalog



Header, nominal current: 4 A, rated voltage: 80 V, pitch: 2.5 mm, no. of positions: 2, mounting: Soldering

The illustration shows an 11-position version

Order No.	1881448
Ord designation	MC 0,5/ 2-G-2,5
EAN	4017918156688
Pack	50 Pcs.
Customs tariff	85369010
Catalog page information	Page 80 (CC-2005)

► Technical data

Dimensions / positions

Length	10.1 mm
Height	8.1 mm
Pitch	2.5 mm
Dimension a	2.5 mm
Number of positions	2
Pin dimensions	0,8 x 0,8 mm
Pin spacing	2.5 mm
Hole diameter	1.2 mm

Technical data

Insulating material group	I
Rated surge voltage (III/3)	1.5 kV
Rated surge voltage (III/2)	2.5 kV
Rated surge voltage (II/2)	2.5 kV
Rated voltage (III/2)	160 V
Rated voltage (II/2)	320 V
Connection in acc. with standard	EN-VDE
Nominal current I_N	4 A
Nominal voltage U_N	80 V
Maximum load current	4 A
Insulating material	PA
Inflammability class acc. to UL 94	V0

► Certificates

Certificate logos



UL

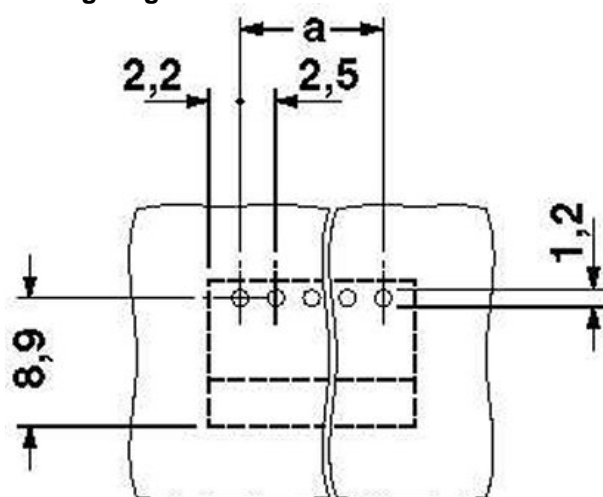
Nominal voltage U_N	125 V
Nominal current I_N	4 A

CUL

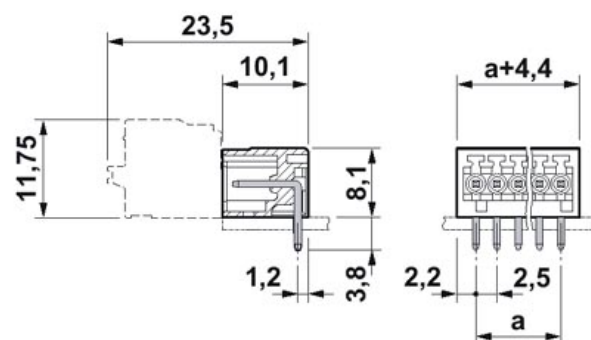
Nominal voltage U_N	125 V
Nominal current I_N	4 A

► Drawings

Drilling diagram



Dimensioned drawing



► Accessories

Item	Designation	Description
Marking		
0804853	SK 2,54/2,8:FORTL.ZAHLEN	Marker card, printed horizontally, self-adhesive, 10-section marker strip, 12 identical decades marked 1-10, 11-20 etc. up to 91-100, sufficient for 120 terminal blocks
Plug/Adapter		
1881435	CP-MC 0,5	Coding section, is inserted into the groove in the header, red insulating material

► Additional products

Item	Designation	Description
General		
1881325	FK-MC 0,5/ 2-ST-2,5	Plug component, nominal current: 4 A, rated voltage: 80 V, pitch: 2.5 mm, no. of positions: 2, type of connection: Spring-cage connection

► Address

PHOENIX CONTACT GmbH & Co. KG
Flachsmarktstr. 8
32825 Blomberg
Germany
Phone +49 5235 3 00
Fax +49 5235 3 1200
<http://www.phoenixcontact.com>
Phoenix Contact
Technical modifications reserved;